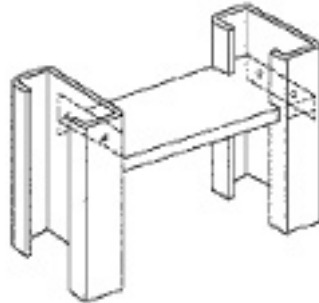


## Fire-Tite™



### Bridging and Fire Blocking

**Fire-Tite™** a simple, easily installed, cost-effective solution to all metal stud framing bridging to replace channel iron.

- **No clips** to install
  - **No wire** to install
  - **No trimming**
  - **No threading** through punch holes
- 
- Easy Installation just insert between metal studs, twist so stud legs fit in notch and screw off.
  - Fast Installation
  - Cost Effective
  - Availability floor inventory maintained to meet any demand Fire-Tite™ is the simple and easy solution where fire blocking is required between studs.
  - Largest percentage area of closure of open area
  - Faster to install than fire treated wood no trimming or custom cutting
  - Easy installation
  - One piece can be used for both bridging and blocking!
  - Can be used with mineral wool fire safing
  - Provides a smooth wall

Available in 3-5/8 inch, 4 inch, and 6 inch widths, 16 inch and 24 inch widths in 20 gauge, 18 gauge, and 16 gauge galvanized steel.

Contact Metal-Lite, Inc., call toll free: 800-236-0302

Copyright © 2000 Metal-Lite, Inc. All Rights Reserved.  
No duplication is permitted without the expressed written consent of Metal-Lite.

