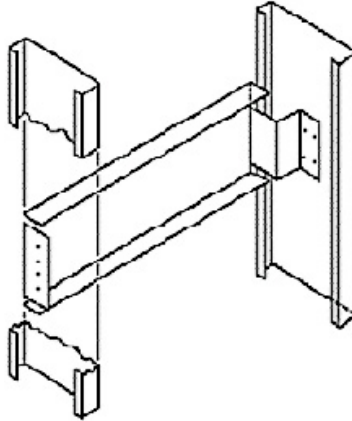


## Flush Mount



**Flush-Mount™** the backing solution is easy and fast to install between studs when a smooth wall is demanded. Available in 14 gauge.

**Approvals:** California Office of Statewide Planning and Development Approved "R-0192"

Meets the requirements of the Americans with Disabilities Act Accessibility Guidelines (ADAAG), the BOCA (1999), Standard Code (1997), and UBC (1997) model building codes, the International Building Code 2000, and both the ICC/A117.1-1998 and ANSI/ASCE 7-98 Standards.

ALLOWABLE LOADS (Pounds)				
Stud Spacing	Load Type	Stud Gage		
		16 GA	18 GA	20 GA
12"	T	284	284	284
	V	586	570	306
16"	T	284	284	284
	V	566	570	306
24"	T	284	284	284
	V	566	570	306

Contact Metal-Lite, Inc., call toll free: 800-236-0302

Copyright © 2000 Metal-Lite, Inc. All Rights Reserved.  
No duplication is permitted without the expressed written consent of Metal-Lite.