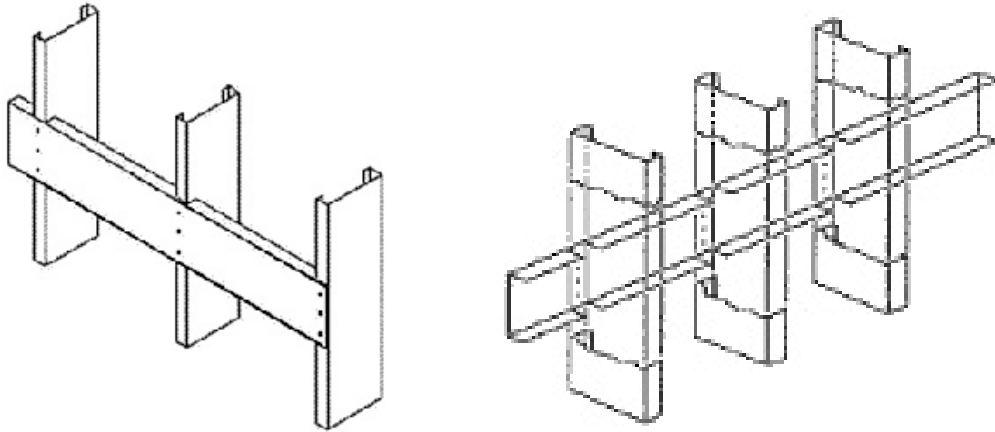




Notch-Tite



Backing for Handrails, Grab Bars, Tub and Shower Seats, Wess Hung, Equipment, and Furniture

Underwriters Laboratories (UL) Tested

- Pull Test to a minimum of 250 pounds pull and point load
- Field tested and approved by California Office of Statewide Planning and Development

Meets or exceeds backing requirement of the: [Americans with Disability Act Accessibility Guidelines \(ADAAG\)](#), Section 4.26; the [Building Officials and Code Administrators International, Inc. \(BOCA\) National Model Building Code](#), 1999 edition; the [1997 Standard Building Code](#); the [1997 Uniform Building Code \(UBC\)](#); the [International Building Code, 2000](#); the ICC/ANSI A117.1-1998 (*Accessible and Usable Buildings and Facilities*) Standard; and the American Society of Civil Engineers (ASCE) Standard ANSI/ASCE 7-98 *Minimum Design Loads for Buildings and Other Structures*.

- Reduced labor costs
- Mount and Screw Installation
- No Field Modifications for 16" O. C. stud framing
- Each piece has 1/2 notch on each end for continuous installation
- Submittal/Test Information Provided Upon Request
- Standard Size 6" with 1 1/4" legs, 16 gauge

Contact Metal-Lite, Inc., call toll free: 800-236-0302

Copyright © 2000 Metal-Lite, Inc. All Rights Reserved.
No duplication is permitted without the expressed written consent of Metal-Lite.